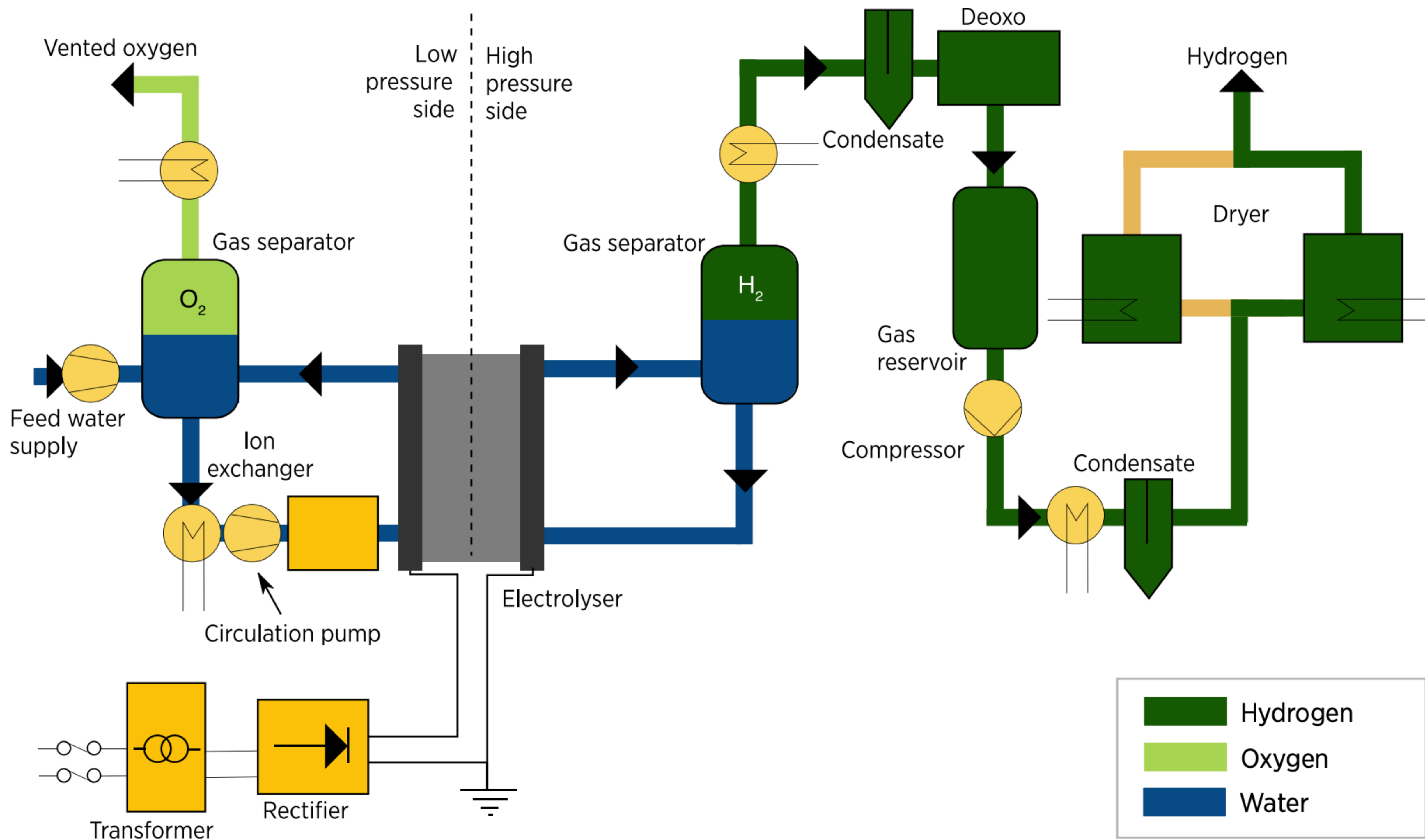


Figure 8.

Typical system design and balance of plant for a PEM electrolyser.



Note: This configuration is for a generic system and might not be representative of all existing manufacturers.